



GIA
GEMOLOGICAL INSTITUTE OF AMERICA®

Facsimile

5355 Armada Drive | Carlsbad, CA 92008-4602
T: 760-603-4500 | F: 760-603-1814

GIA Laboratories
Bangkok Carlsbad Gaborone
Johannesburg Mumbai New York
www.gia.edu

SYNTHETIC COLORED DIAMOND GRADING REPORT

GIA REPORT 5131753595

September 19, 2011

Laser Inscription Registry **GIA 5131753595**
Identification..... **LABORATORY GROWN***
Shape and Cutting Style **Cushion Modified Brilliant**
Measurements 6.44 x 5.76 x 4.02 mm

GRADING RESULTS

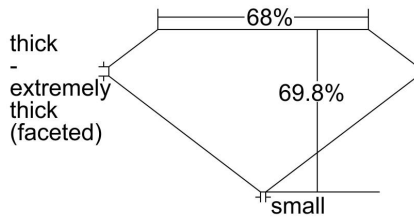
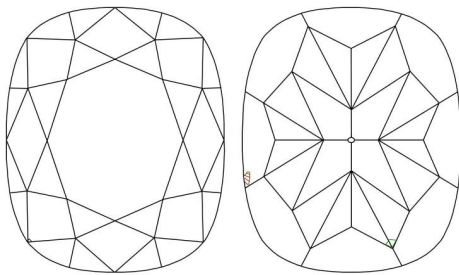
Carat Weight **1.32 carat**
Color Grade **VIVID**
..... **YELLOW**
Distribution **Even**
Clarity Grade **VERY SLIGHTLY INCLUDED**

ADDITIONAL GRADING INFORMATION

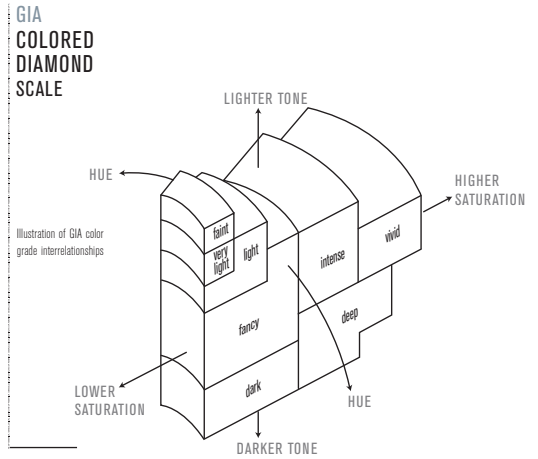
Finish
Polish **Good**
Symmetry **Good**
Fluorescence **Faint**

Comments:
Flux remnants are not shown.
Surface graining is not shown.
Additional Inscription:
LABORATORY GROWN
*This is a man-made diamond and has been produced in a laboratory.

REFERENCE DIAGRAMS



Profile not to actual proportions



This is a digital representation of the original GIA Report. To verify the information herein, please refer to reportscheck.gia.edu. This Report is not a guarantee, valuation or appraisal and contains only the characteristics of the diamond described herein after it has been graded, tested, examined and analyzed by the laboratory providing this Report ("GIA") and/or has been inscribed using the techniques and equipment used by GIA at the time of the examination and/or inscription. Inscriptions reported in this document are not a guarantee, validation, or warranty of a diamond's quality, country of origin or source; or that the diamond will be identifiable by the inscription in the future (since inscriptions can be removed). GIA makes no representation concerning any trademark, word, or symbol which is inscribed by GIA or which is identified on this Report. The recipient of this Report may wish to consult a credentialed jeweler or gemologist about the information contained herein.

For terms, conditions, and limitations, see www.gia.edu/terms or call 800-421-7250 or 760-603-4500.



KEY TO SYMBOLS

- ◊ Cavity
- ^ Crystal Surface
- ^ Extra Facet

Red symbols denote internal characteristics (inclusions). Green or black symbols denote external characteristics (blemishes). Diagram is an approximate representation of this article, and symbols shown indicate type, position, and approximate size of clarity characteristics. All clarity characteristics may not be shown. Details of finish are not shown.